

1285 Snowberry Drive  
Golden, CO 80401



Single Family



5946 SQFT



Patti Hultgren  
303-910-5097  
pkhult@gmail.com



# 1285 Snowberry Drive, Golden, CO 80401 – Main



**TOTAL: 6439 sq. ft**

Basement: 1392 sq. ft, 1st floor: 543 sq. ft, 2nd floor: 3149 sq. ft, 3rd floor: 1322 sq. ft, 4th floor: 33 sq. ft  
EXCLUDED AREAS: STORAGE: 323 sq. ft, UTILITY: 87 sq. ft, COVERED PATIO: 79 sq. ft,  
DECK: 657 sq. ft, PORCH: 71 sq. ft, BALCONY: 80 sq. ft,  
OPEN TO BELOW: 108 sq. ft, WALLS: 483 sq. ft

Floor Plan Created By V1photos.com. Measurements Deamed Highly Reliable But Not Guaranteed.

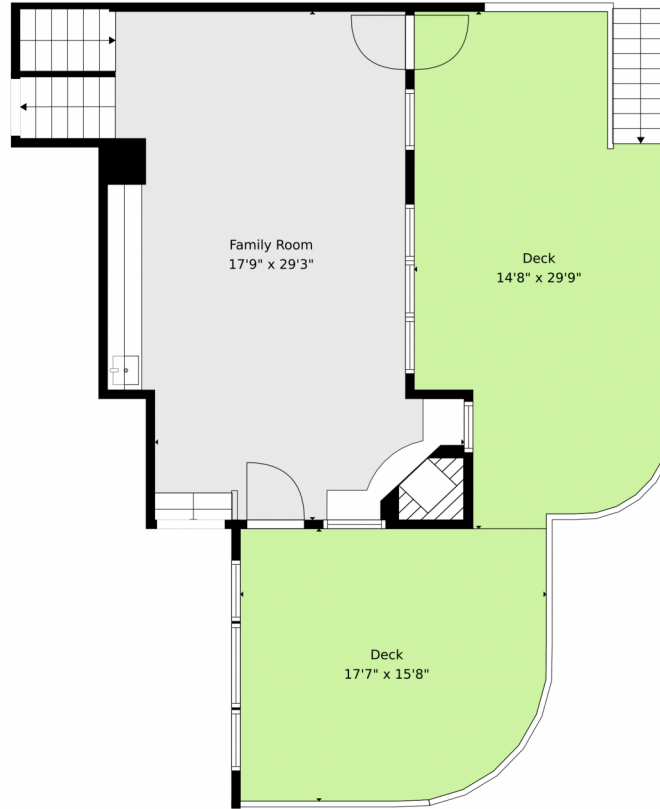


Disclaimer: Sizes and Dimensions are Approximate, Actual May Vary.

Patti Hultgren  
303-910-5097  
pkhult@gmail.com

Scan code  
for more  
property  
details





**TOTAL: 6439 sq. ft**

Basement: 1392 sq. ft, 1st floor: 543 sq. ft, 2nd floor: 3149 sq. ft, 3rd floor: 1322 sq. ft, 4th floor: 33 sq. ft  
EXCLUDED AREAS: STORAGE: 323 sq. ft, UTILITY: 87 sq. ft, COVERED PATIO: 79 sq. ft,  
DECK: 657 sq. ft, PORCH: 71 sq. ft, BALCONY: 80 sq. ft,  
OPEN TO BELOW: 108 sq. ft, WALLS: 483 sq. ft

Floor Plan Created By V1photos.com. Measurements Deamed Highly Reliable But Not Guaranteed.



Disclaimer: Sizes and Dimensions are Approximate, Actual May Vary.



# 1285 Snowberry Drive, Golden, CO 80401 – 2nd Level



**TOTAL: 6439 sq. ft**

Basement: 1392 sq. ft, 1st floor: 543 sq. ft, 2nd floor: 3149 sq. ft, 3rd floor: 1322 sq. ft, 4th floor: 33 sq. ft  
EXCLUDED AREAS: STORAGE: 323 sq. ft, UTILITY: 87 sq. ft, COVERED PATIO: 79 sq. ft,  
DECK: 657 sq. ft, PORCH: 71 sq. ft, BALCONY: 80 sq. ft,  
OPEN TO BELOW: 108 sq. ft, WALLS: 483 sq. ft

Floor Plan Created By V1photos.com. Measurements Deamed Highly Reliable But Not Guaranteed.

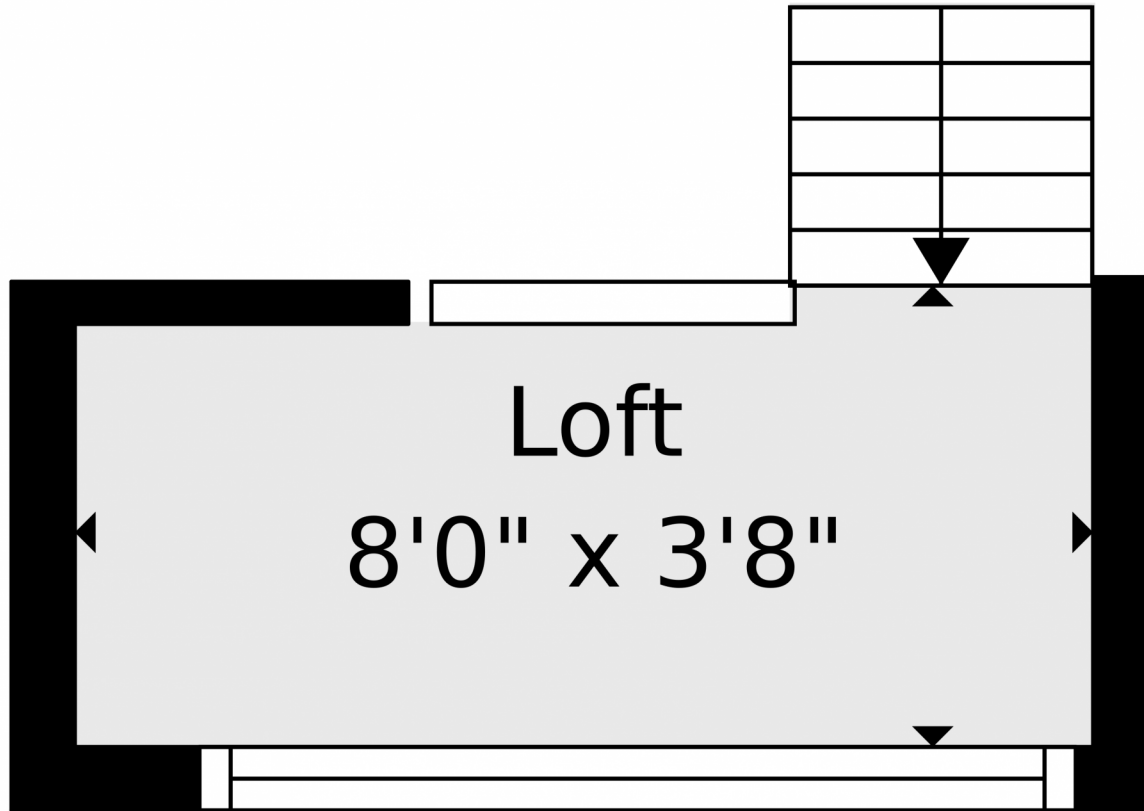


Disclaimer: Sizes and Dimensions are Approximate, Actual May Vary.

Patti Hultgren  
303-910-5097  
pkhult@gmail.com



Scan code  
for more  
property  
details



**TOTAL: 6439 sq. ft**

Basement: 1392 sq. ft, 1st floor: 543 sq. ft, 2nd floor: 3149 sq. ft, 3rd floor: 1322 sq. ft, 4th floor: 33 sq. ft  
EXCLUDED AREAS: STORAGE: 323 sq. ft, UTILITY: 87 sq. ft, COVERED PATIO: 79 sq. ft,  
DECK: 657 sq. ft, PORCH: 71 sq. ft, BALCONY: 80 sq. ft,  
OPEN TO BELOW: 108 sq. ft, WALLS: 483 sq. ft

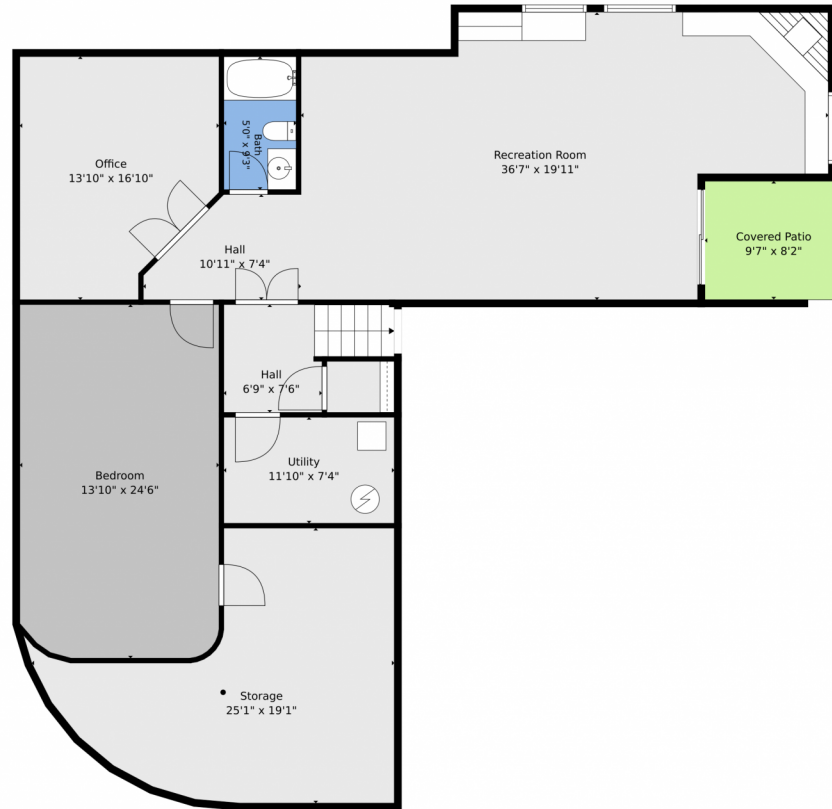
Floor Plan Created By V1photos.com. Measurements Deamed Highly Reliable But Not Guaranteed.



Disclaimer: Sizes and Dimensions are Approximate, Actual May Vary.



# 1285 Snowberry Drive, Golden, CO 80401 – Basement



**TOTAL: 6439 sq. ft**

Basement: 1392 sq. ft, 1st floor: 543 sq. ft, 2nd floor: 3149 sq. ft, 3rd floor: 1322 sq. ft, 4th floor: 33 sq. ft  
EXCLUDED AREAS: STORAGE: 323 sq. ft, UTILITY: 87 sq. ft, COVERED PATIO: 79 sq. ft,  
DECK: 657 sq. ft, PORCH: 71 sq. ft, BALCONY: 80 sq. ft,  
OPEN TO BELOW: 108 sq. ft, WALLS: 483 sq. ft

Floor Plan Created By V1photos.com. Measurements Deamed Highly Reliable But Not Guaranteed.



Disclaimer: Sizes and Dimensions are Approximate, Actual May Vary.

Patti Hultgren  
303-910-5097  
pkhult@gmail.com





**TOTAL: 6439 sq. ft**  
Basement: 1392 sq. ft, 1st floor: 543 sq. ft, 2nd floor: 3149 sq. ft, 3rd floor: 1322 sq. ft, 4th floor: 33 sq. ft  
EXCLUDED AREAS: STORAGE: 323 sq. ft, UTILITY: 87 sq. ft, COVERED PATIO: 79 sq. ft,  
DECK: 657 sq. ft, PORCH: 71 sq. ft, BALCONY: 80 sq. ft,  
OPEN TO BELOW: 108 sq. ft, WALLS: 483 sq. ft

Floor Plan Created By V1photos.com. Measurements Deamed Highly Reliable But Not Guaranteed.



Disclaimer: Sizes and Dimensions are Approximate, Actual May Vary.